



Air Management Inc.

**Submission Drawing  
AMI-75C, CR, CO  
STATIC FIRE DAMPERS**

**STANDARD CONSTRUCTION**

**FRAME**

22 ga. Rollformed Steel frame

**BLADES**

22 ga. Interlocking Steel Blades  
'Out of the Air Stream'

**FINISH**

Mill

**Fusible Link.**

165 deg. F Standard

**TYPE  
C  
CR  
CO**

**MAXIMUM SIZE**

Single section -60" x 60" - Vertical and Horizontal  
52" - Round

**MULTIPLE SECTIONS ASSEMBLY**

120" x 120" - Vertical  
60" x 60" - Horizontal

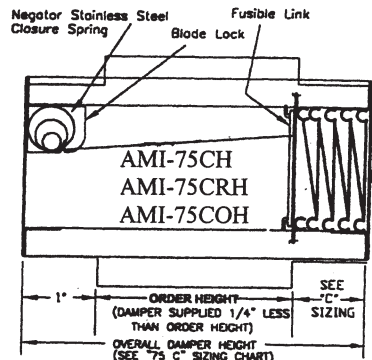
**MINIMUM SIZE**

3" - Round

**OPTIONS:**

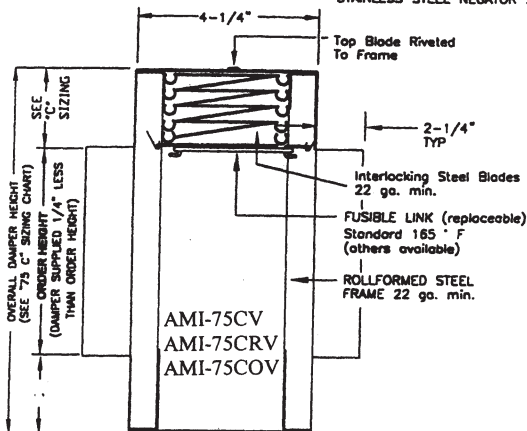
- 'C' Rectangular
- 'CR' Round
- 'CO' Oval
- 165 deg. F. Fusible Link
- 212 deg. F. Fusible Link
- 304 Stainless Steel Construction
- Vertical Mount
- Horizontal Mount

**Horizontal & Vertical  
U.L. Classified  
1-1/2 Hour Rating**



**(H) HORIZONTAL MOUNT**

HORIZONTAL MOUNTING MODEL INCLUDES STAINLESS STEEL NEGATOR SPRING AND BLADE LOCKS



**(V) VERTICAL MOUNT**



**UNDERWRITERS LABORATORIES (UL555)  
CLASSIFIED FIRE DAMPERS.  
FIRE RESISTANCE RATED 1-1/2 HOUR.  
FOR USE IN UL CLASSIFIED BUILDING  
MATERIALS RATED 2 HOURS OR LESS.**

