



Air Management Inc.

**Submission Drawing
AMI-75B
STATIC FIRE DAMPERS**

STANDARD CONSTRUCTION

TYPE B

FRAME

22 ga. Rollformed Steel frame

BLADES

22 ga. Interlocking Steel Blades
'Out of Air Stream'

FINISH

Mill

Fusible Link.

165 deg. F Standard

Horizontal & Vertical
U.L Classified
1-1/2 Hour Rating

MAXIMUM SIZE

Single section -60" x 53" - Vertical and Horizontal

MULTIPLE SECTIONS ASSEMBLY

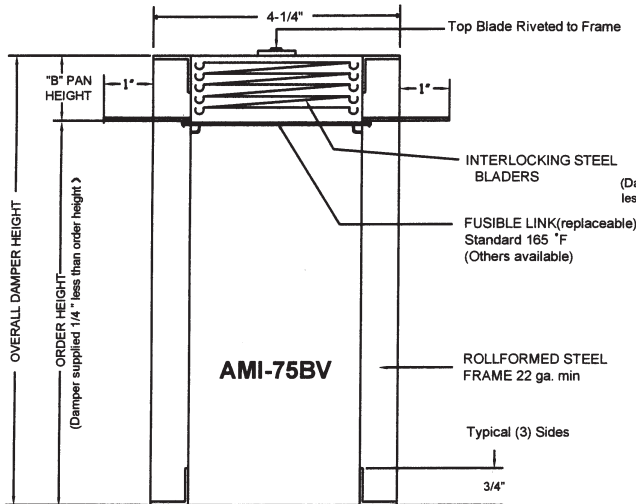
120" x 53" - Vertical and Horizontal

MINIMUM SIZE

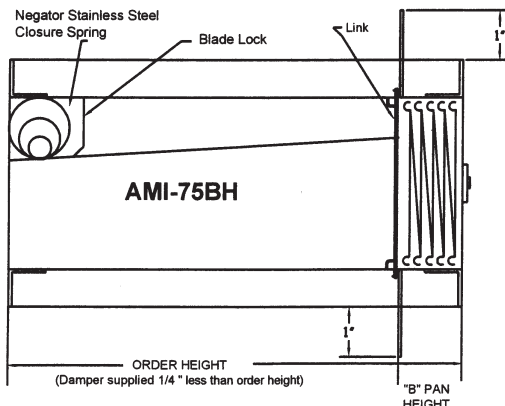
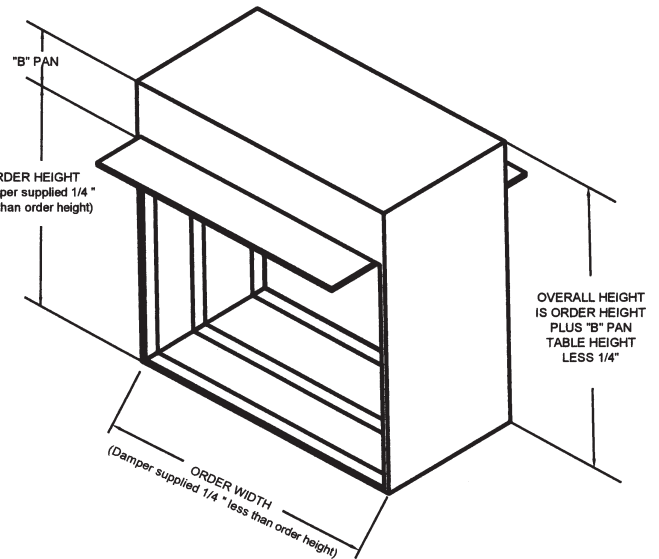
4" x 3" - Vertical
4" x 5" - Horizontal

OPTIONS:

- Vertical Mount
- Horizontal Mount
- 165 deg. F. Fusible Link
- 212 deg. F. Fusible Link
- 304 Stainless Steel Construction



(V) VERTICAL MOUNT



(H) HORIZONTAL MOUNT

HORIZONTAL MOUNTING SHOWN. VERTICAL MOUNTING SAME AS HORIZONTAL LESS STAINLESS STEEL. NEGATOR SPRING AND BLADE LOCK

CLASSIFIED
C U L
C US

UNDERWRITERS LABORATORIES(UL555)
CLASSIFIED FIRE DAMPERS.
FIRE RESISTANCE RATED 1-1/2 HOUR.
FOR USE IN UL CLASSIFIED BUILDING
MATERIALS RATED 2 HOURS OR LESS.