



Air Management Inc.

**Submission Drawing  
AMI-75A  
STATIC FIRE DAMPERS**

**STANDARD CONSTRUCTION**

# TYPE A

**FRAME**

22 ga. Rollformed Steel frame

**BLADES**

22 ga. Interlocking Steel Blades  
'In Air Stream'

**FINISH** - Mill

**MAXIMUM SIZE**

Single section -60" x 60" - Vertical and Horizontal

**MULTIPLE SECTIONS ASSEMBLY**

120" x 120" - Vertical and Horizontal

**MINIMUM SIZE**

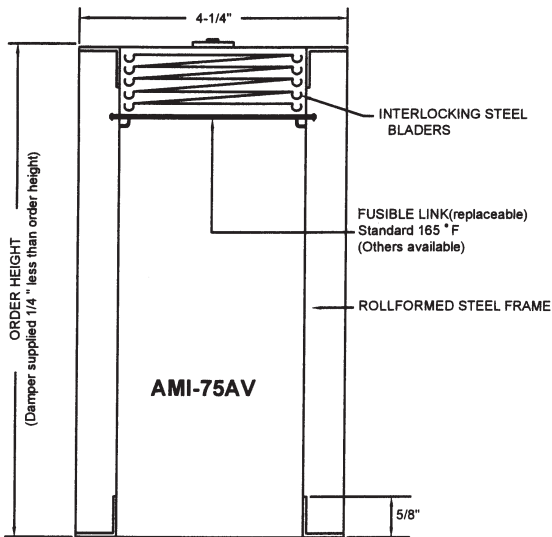
4" x 4" - Vertical and Horizontal

**OPTIONS:**

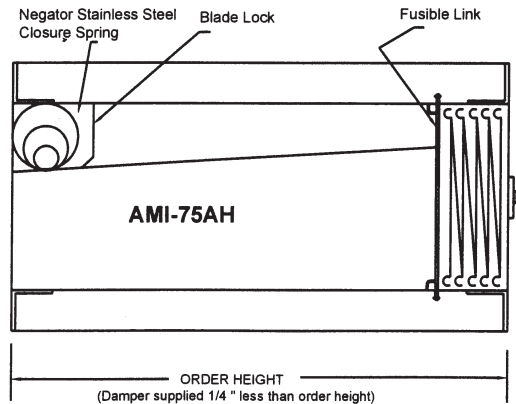
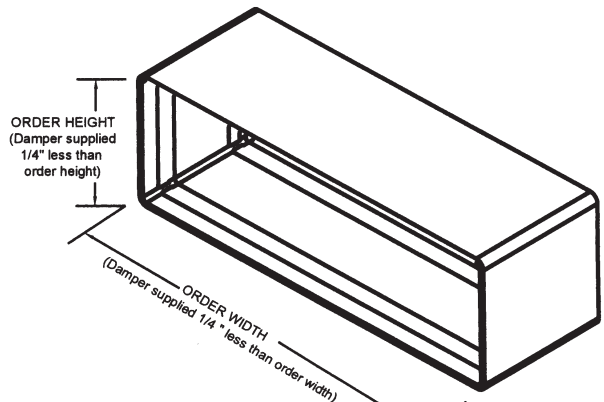
- Vertical Mount
- Horizontal Mount
- 165 deg. F. Fusible Link (Standard)
- 212 deg. F. Fusible Link
- 304 Stainless Steel Construction

**Horizontal & Vertical**

U.L Classified  
1-1/2 Hour Rating

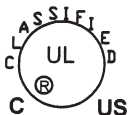


**(V) VERTICAL MOUNT**



**(H) HORIZONTAL MOUNT**

HORIZONTAL MOUNTING MODEL INCLUDES STAINLESS STEEL NEGATOR SPRINGS AND BLADE LOCKS



UNDERWRITERS LABORATORIES(UL555)  
CLASSIFIED FIRE DAMPERS.  
FIRE RESISTANCE RATED 1-1/2 HOUR.  
FOR USE IN UL CLASSIFIED BUILDING  
MATERIALS RATED 2 HOURS OR LESS.