



Air Management Inc.

Submittal Drawing
AMI-FSD-111-1PB
COMBINATION FIRE/SMOKE DAMPER

STANDARD CONSTRUCTION

FRAME

16 ga. Galvanized Steel, interlocking stacking hat section channel frame

BLADES

16 ga. Galvanized triple 'v' formed

BEARINGS

Sintered Bronze, Oil impregnated

AXLES

1/2" square zinc plated steel studs

LINKAGE

.12 X .50 Zinc plated steel concealed in the channel frame

FINISH

Mill

(Rated Partitions of 2 hours or less)

BLADE SEALS

60-65 Durometer Silicone rubber with laminated acrylic adhesive permanently bonded to blade edges.

JAMB SEALS

Corrosion resistant stainless steel

JACKSHAFT

1/2" dia. Zinc plated steel with jackshaft connector coupling

CAULKING

UL Approved silicone sealants:
Dow Corning RTV-732, 999A, GE-1200

MINIMUM SINGLE SECTION

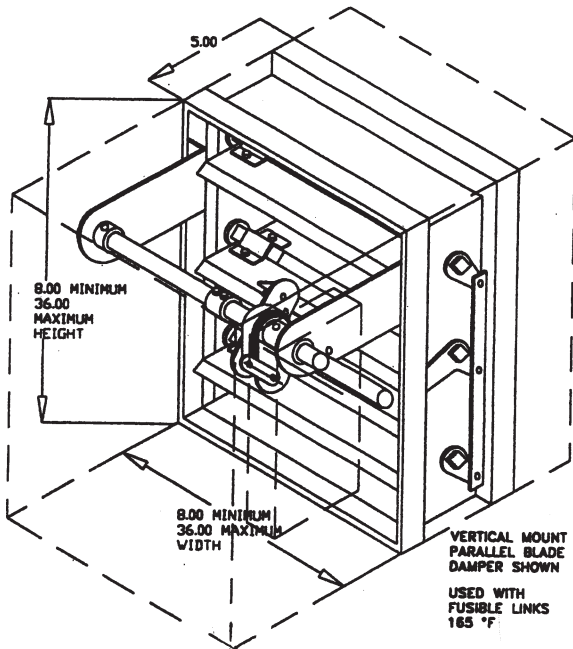
12" x 8"

MAXIMUM

36" X 36" Single Section

OPTIONS:

- Sleeves: Rectangle, Round, Oval & Specials
- Actuators: Electric & Pneumatic
- Actuator Brands: Honeywell, Siemens, Belimo
- Actuator Mounting: External and Internal
- Optional Material: Stainless Steel



1-1/2 HR (FIRE DURATION RATING)
CLASS 1 (ULTRA LOW LEAKAGE)
VERTICAL AND HORIZONTAL (INSTALLATIONS)
250°F (TEMPERATURE RATING)
PARALLEL BLADE (OPERATION)
TO 4.0" W.G. (MAXIMUM STATIC PRESSURE)
TO 2400 FPM (MAXIMUM VELOCITY)
POWER OPEN/SPRING CLOSURE

